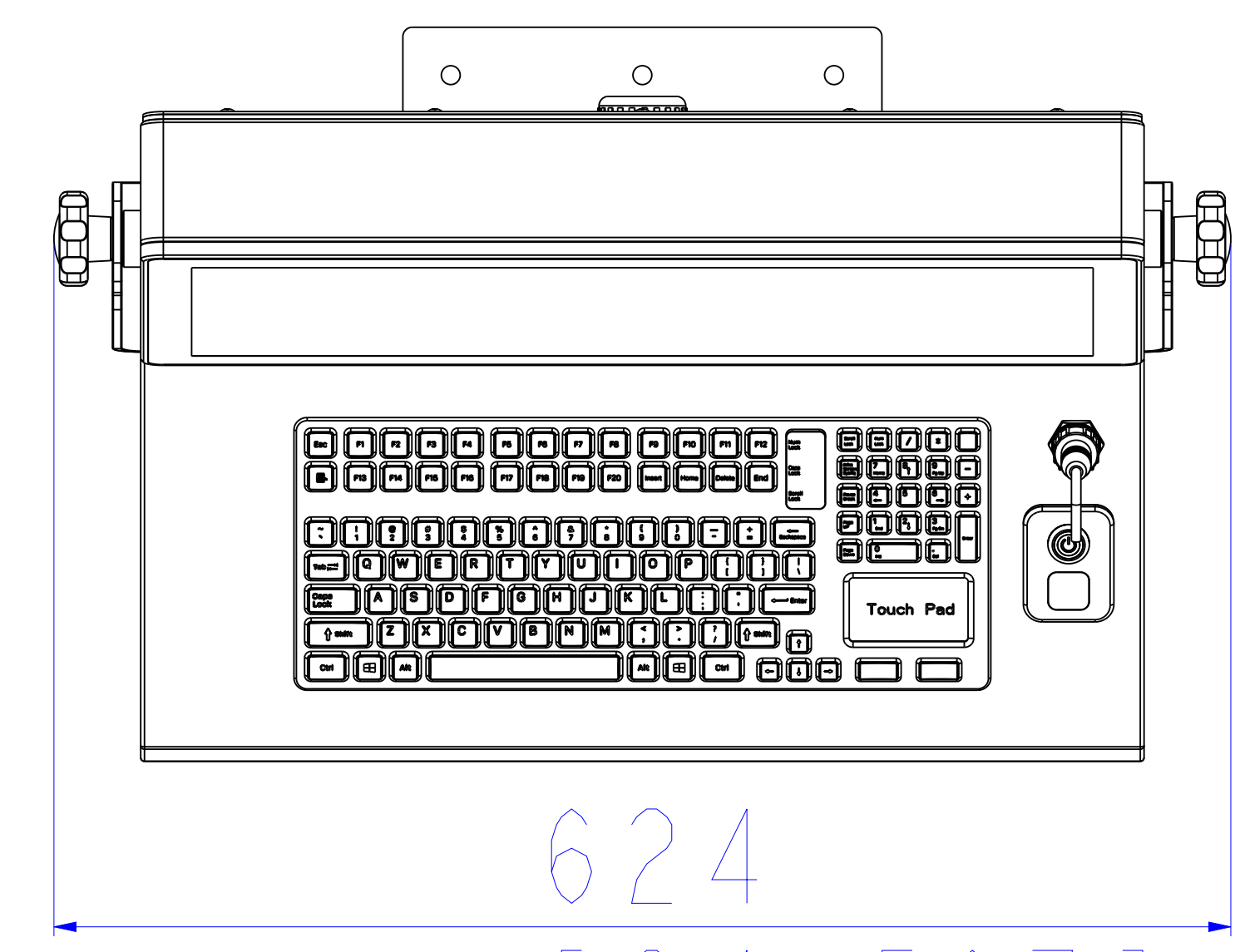


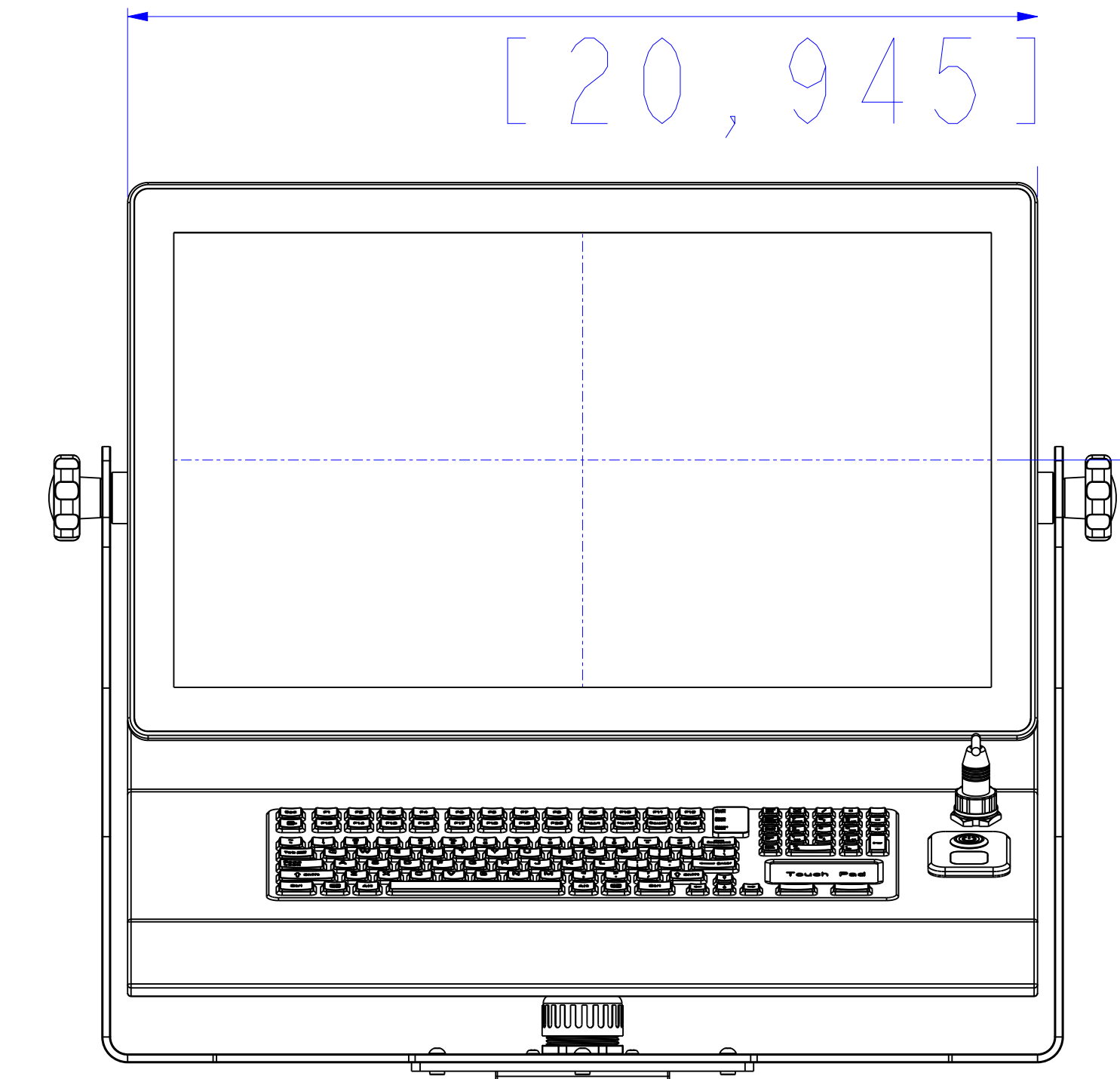
ITEM NO:	
----------	--

PART LIST		
ITEM	QTY	DESCRIPTION

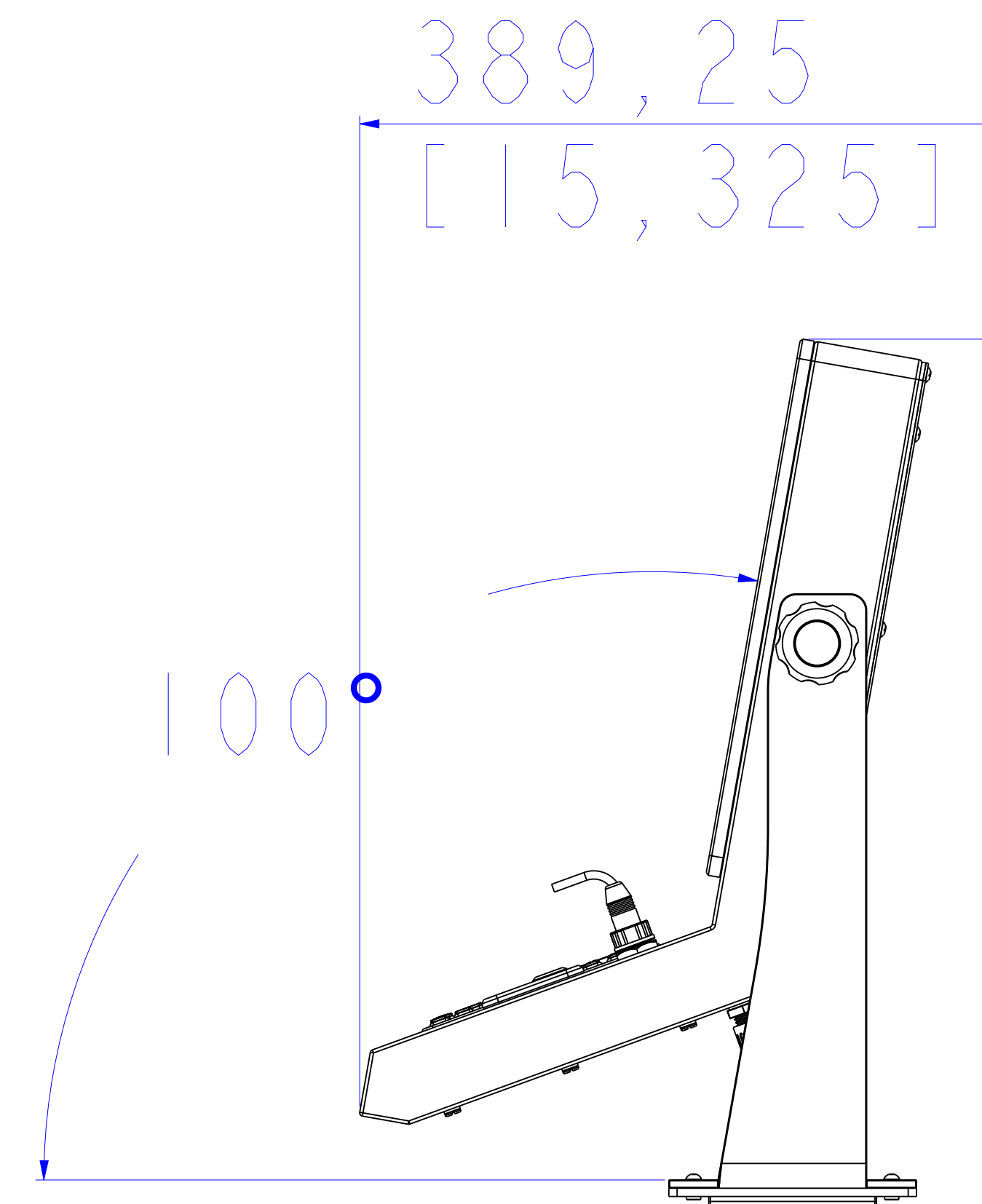
AMA-7421AX-KVM



624
[24, 567]
532
[20, 945]



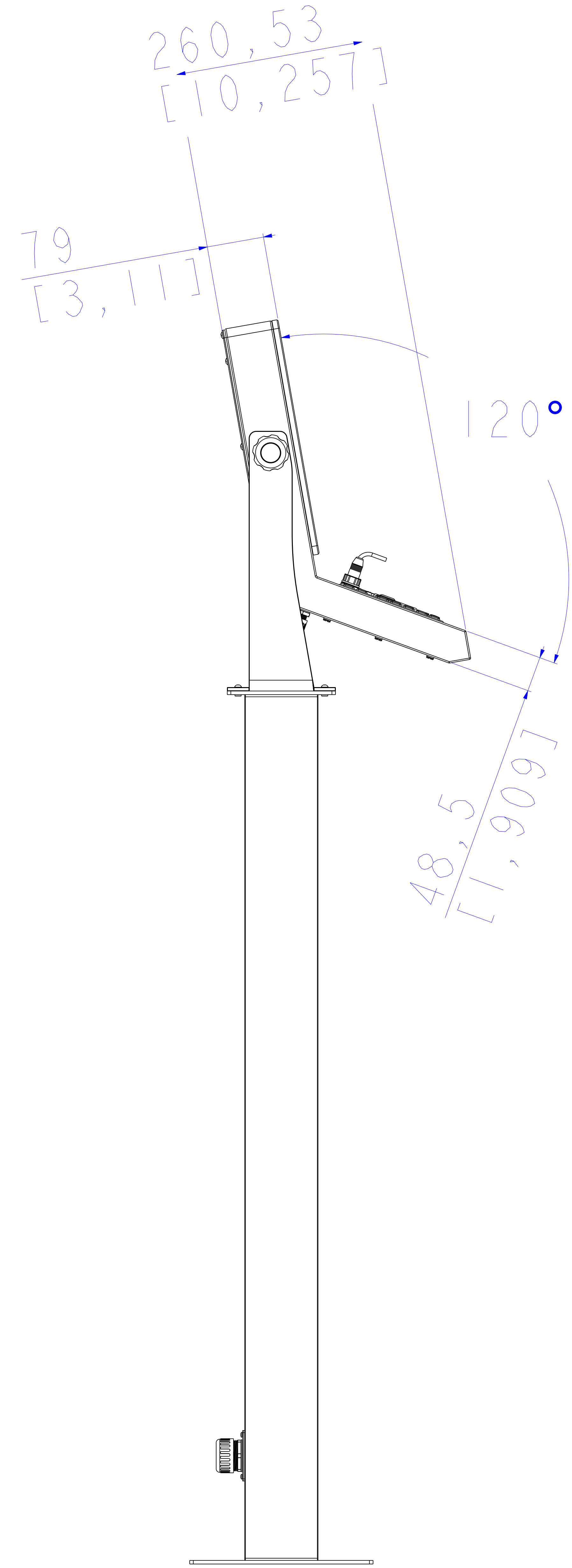
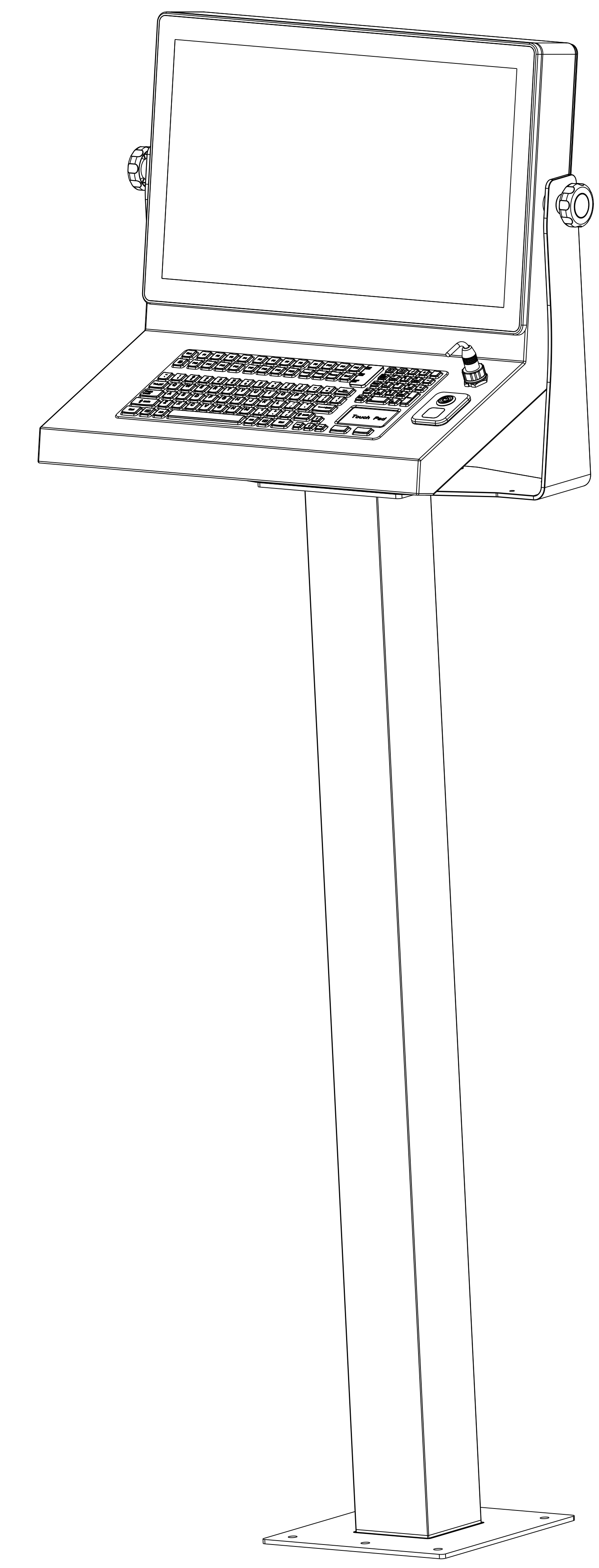
1561,64
[61, 482]



100°

389,25
[15, 325]

1723,8
[67, 866]



79
[3, 11]

260,53
[10, 257]

120°

48,5
[1, 909]

101,6
[4]

254
[10]

254
[10]

ALL DIMENSIONS IN MILLIMETRES
THIRD ANGLE PROJECTION

ZONE	REV	DESCRIPTION	DATE	APPROVED
REVISIONS				

ARISTA ARISTA CORPORATION
41300 Boyce Rd., Fremont, CA 94538

The information disclosed on this document is the exclusive property of ARISTA CORPORATION. Reproduction, disclosure, or the use of this document or information without the written permission of ARISTA CORPORATION is prohibited.

TOLERANCES	B	C
0-30mm	±0.1	±0.25 ±0.6
30-120mm	±0.15	±0.46 ±1.1
120-315mm	±0.2	±0.6 ±1.6
>315mm	±0.3	±1.1 ±2.5

DATE	
DESIGN	
CHECKED	
DRAWN	

SIZE	FSCM NO.	DWG NO.	REV
A0			
SCALE	INV. NO.	SHEET	OF